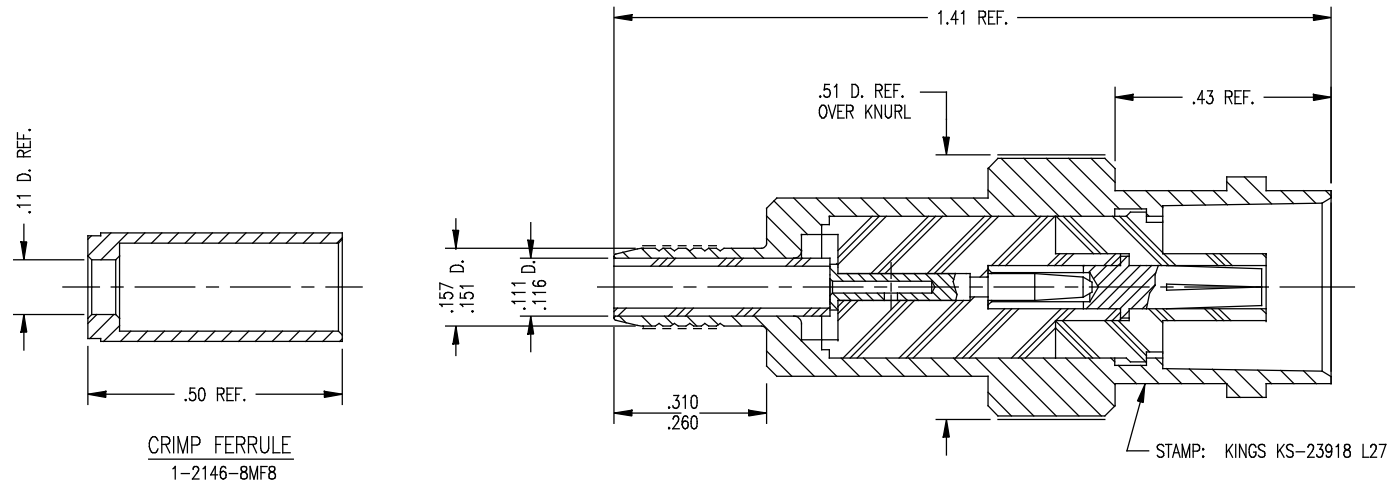


SD



NOTES:

1. FOR USE WITH AT&T WP-91681L2 CABLE.
2. FOR CABLING INSTRUCTIONS SEE 3-618.
3. FOR CRIMPING USE DIE KTH-2185. (.178 HEX.)
4. SOLDER ONLY CENTER CONTACT (1-6343-1M9B) SUPPLIED UNASSEMBLED.
5. TEFLON TUBE (1-1689-5M99) SUPPLIED UNASSEMBLED.
6. INTERFACE PER MIL-STD-348, 301-2 (AS APPLICABLE).
7. MATERIALS:
INSULATORS: TEFLON, ASTM-D-4894
K-GRIP SLEEVE: COM. BRONZE, ASTM-B-135
CENTER CONTACT F: BER. COPPER, ASTM-B-196
ALL OTHER METAL PARTS: BRASS, ASTM-B16
8. FINISHES:
CENTER CONTACTS: HARD GOLD PLATE, PER MIL-G-45204
ALL OTHER METAL PARTS: NICKEL PLATE, QQ-N-290
9. ELECTRICAL CHARACTERISTICS:
NOMINAL IMPEDANCE: 75 OHMS
WORKING VOLTAGE: 500 VRMS
FREQUENCY RANGE: DC TO 1 GHz

SD

REVISIONS

ISSUE	CHANGES
0	ER 36050 KH 01/31/95
1	CN 36122 A KH 02/21/95
2	CN 37667 E HVN 09/30/98
3	CN 37716 B HVN 11/11/98
E	CN 40109/ECR-ER5115 C BAM 11/5/07

2023-6-7

SCALE 4:1

APPROX SURFACE AREA

USED ON

REF: AT&T KS-23918 L27 ISSUE 3 REV. 2

JACK, 75 BNC

DRAWN KH DATE 08/29/94

DESIGN JT DATE 08/30/94

APPR. DATE

KINGS
A Winchester Electronics Company

2023-6-7